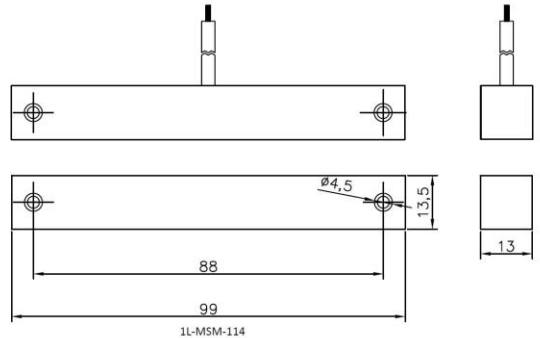


Magnetic Switches

Surface Mount Magnetic Switch

1L-MSM-114



Key Features :-

- Wide Gap Surface Mount Contact Switch
- 4' Long 2 Core 22 AWG PVC Cable
- Screw Mounting
- Operating Gap 2" (50mm) min.

Switch Type (1L-MSM-114)	NO	NO-T
Voltage	200 VDC	200 VDC
Current	0.5 A	0.5 A
Power	10 W	10 W
Operating Gap (min.)	50	50
Dimensions (LxWxH)	99 x 13.5 x 13	99 x 13.5 x 13
Wire Type	PVC	Terminal for Connection
* Wire Length (std.)	18"	N.A.
Core Size	14/38 ATC	N.A.
Operating Temp.	-20°C to +70°C	-20°C to +70°C
Storage Temp.	-40°C to +85°C	-40°C to +85°C
Humidity	Up to 95% non-condensing	Up to 95% non-condensing
Housing Material	ABS Plastic	ABS Plastic
Mounting Type	Screw Mount	Screw Mount
Mechanical Life	Over 10 million cycles	Over 10 million cycles
Contact Resistance	0.1 Ω	0.1 Ω
Housing Colour	Grey	Grey
Wire Colour	Grey	N.A.