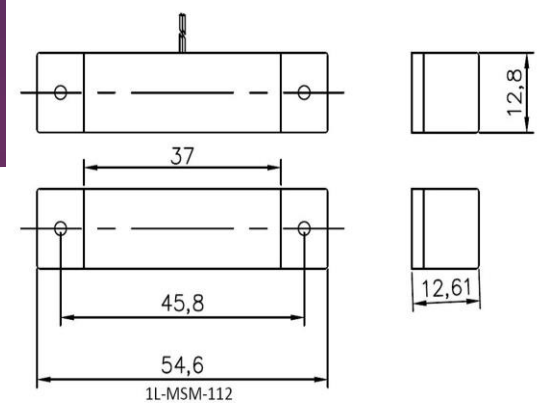
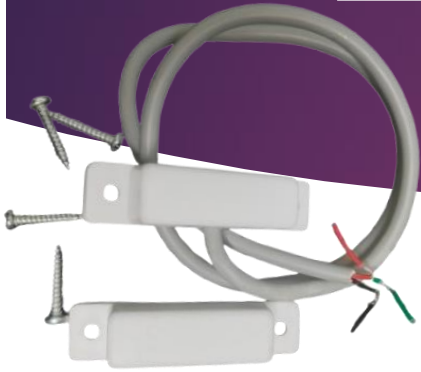


# Magnetic Switches

## Surface Mount Magnetic Switch

### 1L-MSM-112 NO/NC



#### **Key Features :-**

- Side Flanges for Easy Mounting
- 18" Long Wire Leads
- Operate Gap 10.0mm min.

Switch Type (1L-MSM-112)	NO/NC
Voltage	60 VDC
Current	0.25 A
Power	4 W
Operating Gap (min.)	10
Dimensions (LxWxH)	55 x 13 x 12.5
Wire Type	PVC
* Wire Length (std.)	18"
Core Size	7/38 3 Core AWM
Operating Temp.	-20°C to +70°C
Storage Temp.	-40°C to +85°C
Humidity	Up to 95% non-condensing
Housing Material	ABS Plastic
Mounting Type	Surface Mount - Easy Screw & Adhesive tapes (optional)
Mechanical Life	Over 10 million cycles
Contact Resistance	115 mΩ
Colour	White