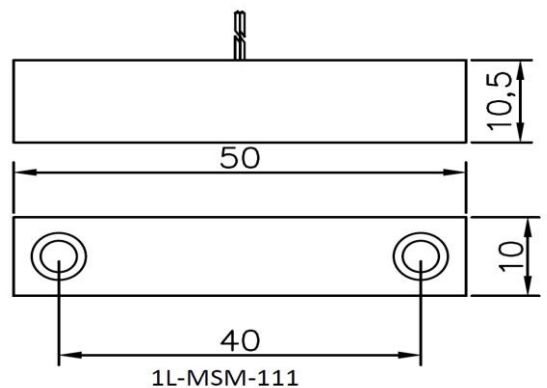


# Magnetic Switches

## Surface Mount Magnetic Switch

### 1L-MSM-111 NO



#### **Key Features :-**

- Easy Screw & Adhesive tapes (optional) Mounting
- Wide Operating Gap:15 mm (min.)
- 18" Long Wire Leads

Switch Type	NO
Voltage	200 VDC
Current	0.5 A
Power	10 W
Operating Gap (min.)	15 mm
Dimensions (LxWxH)	40 x 10 x 10.5 mm
Wire Type	Flexible PVC
Wire Length (Std.)	18 "
Core Size	14/38 ATC
Operating Temp.	-20° C to +70° C
Storage Temp.	-40° C to +85° C
Humidity	Up to 95%
Housing Material	ABS Plastic
Mounting Type	Surface Mount – Easy Screw & Adhesive tape (Optional)
Mechanical Life	Over 10 million cycles
Contact Resistance	0.1 Ω
Colour	White
Magnet	ALINCO/ Rare Earth