

1L-PC01

Welcome to use Photosensitive device!

The product can turn on or turn off light by automatically according to ambient-light. Ambient-temperature and humidity can't affect it. It is not only convenient but also practical; it can control the load working only at night. For instance road light, garden light etc.

SPECIFICATION

Power source:220V -240V/AC

Power Frequency: 50Hz

Rated Current: 10A

Ambient Light: <5-15LUX

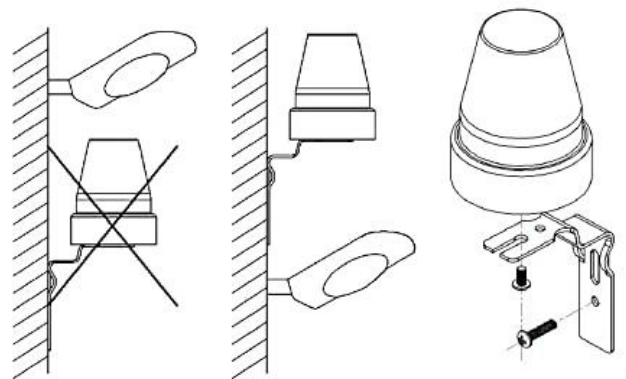
Working Temperature: -20~+40℃

Working Humidity: <93%RH

INSTALLATION (see the figures)

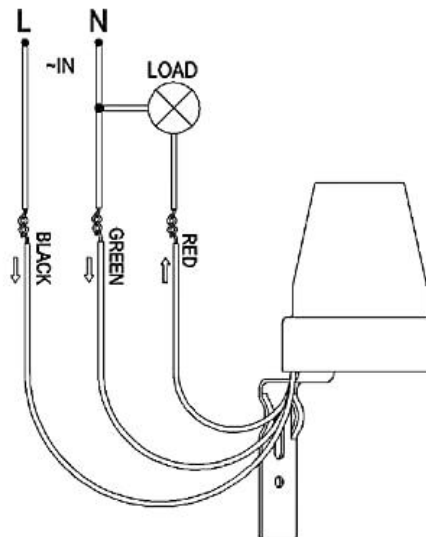
Switch off the power. Connecting the wire as per the following figure.

Please install the item with the correct orientation (see figure A) what shows in the metal bracket and according to the correct installation place with the enclosed inflated screws.



INCORRECT CORRECT figure A

CONNECTION-WIRE FIGURE



TEST

Switch on the power.

Please using enclosed black opaque bag in the packing when you testing in daytime.

When the bag mantles the detection window of the photocell, the ambient light of the items will be dark, it makes lamp on.

When take off this bag, it makes lamp off by automatically.

NOTE

In front of the photocell, it should be no obstruction effecting to accept natural light;

In front of the photocell, it should be no swaying object.