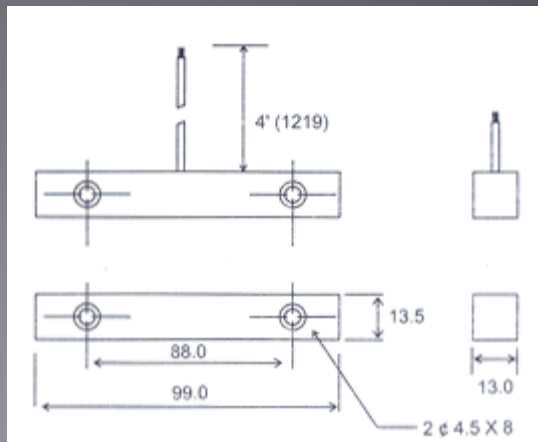
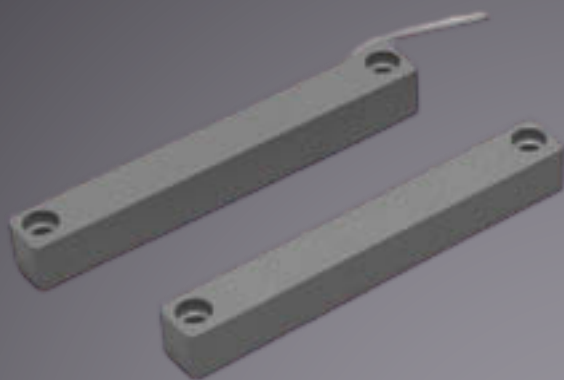


Magnetic Switches

Surface Mount Magnetic Switch

1L-MSM-114



Key Features :-

- Wide Gap Surface Mount Contact Switch
- 4' Long 2 Core 22 AWG PVC Cable
- Screw Mounting
- Operating Gap 2" (50mm) min.

Specifications

Electrical

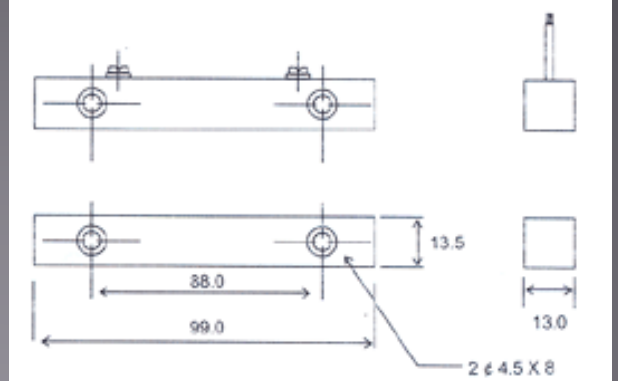
Normally Open Contact Switch (N/O, 1 Form A) For Closed Loop System (N/C, 1 Form B or C/O, 1 Form C is also available on request

Reed Switch Specifications

- Contact Rating : 10W/VA
- Switching Voltage (Max.) : 200 VDC
- Switching Current (Max.) : 0.5 Amp.
- Contact Resistance (Min.) : 150 milli ohms
- Life Expectancy : 10×10^6 Operations
- Insulation Resistance : 10^9 ohms
- Shock Resistance : 30G for 11mSec.
- Vibration Resistance : 20G (10 to 1000Hz)
- Magnets : ALINCO/ Rare Earth (Unless otherwise specified)
- Armour Jacket : Stainless Steel (Type 304)
- Plastic Material : ABS Plastic (Unless otherwise specified)

Surface Mount Magnetic Switch

1L-MSM-114T



Key Features :-

- Wide Gap Surface Mount Contact Switch
- Screw Connecting Terminal
- Screw Mounting
- Operating Gap 2" (50mm) min.

Specifications

Electrical

Normally Open Contact Switch (N/O, 1 Form A) For Closed Loop System (N/C, 1 Form B or C/O, 1 Form C is also available on request

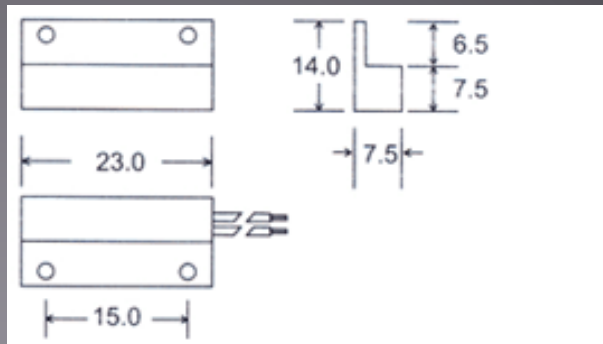
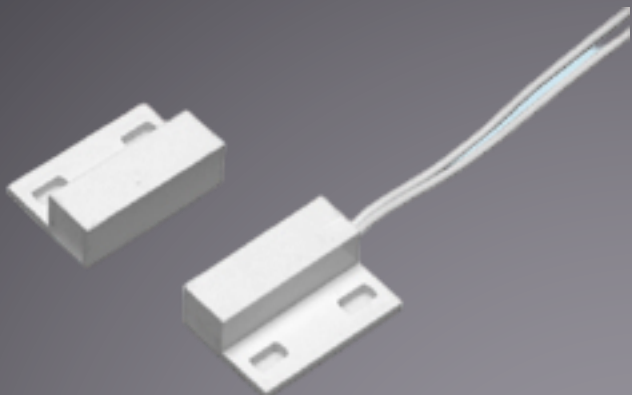
Reed Switch Specifications

Contact Rating : 10W/VA
Switching Voltage (Max.) : 200 VDC
Switching Current (Max.) : 0.5 Amp.
Contact Resistance (Min.) : 150 milli ohms
Life Expectancy : 10x 10⁶ Operations
Insulation Resistance : 10⁹ ohms
Shock Resistance : 30G for 11mSec.
Vibration Resistance : 20G (10 to 1000Hz)
Magnets : ALINCO/ Rare Earth (Unless otherwise specified)
Armour Jacket : Stainless Steel (Type 304)
Plastic Material : ABS Plastic (Unless otherwise specified)

Magnetic Switches

Surface Mount Magnetic Switch

1L-MSM-115



Key Features :-

- Mini Stick-on Surface Mount Contact Switch with side leads
- Flange for Convenient Mounting
- 18" Long Side Wire Leads
- Operate Gap Min. ½" (12.0mm)

Specifications

Electrical

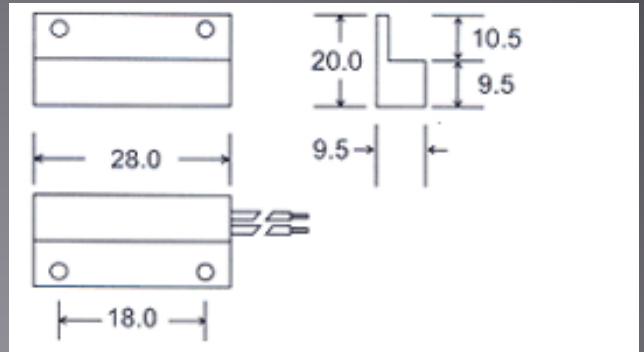
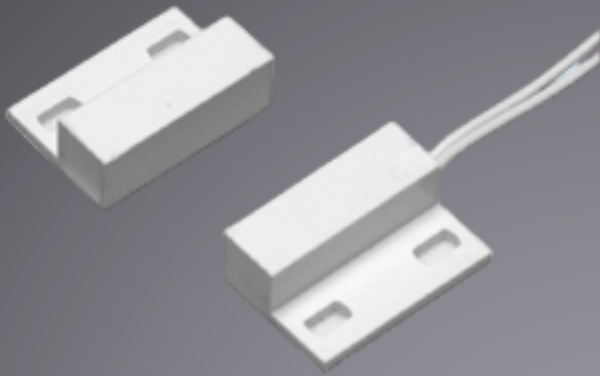
Normally Open Contact Switch (N/O, 1 Form A) For Closed Loop System (N/C, 1 Form B or C/O, 1 Form C is also available on request

Reed Switch Specifications

- Contact Rating : 10W/VA
- Switching Voltage (Max.) : 200 VDC
- Switching Current (Max.) : 0.5 Amp.
- Contact Resistance (Min.) : 150 milli ohms
- Life Expectancy : 10x 10⁶ Operations
- Insulation Resistance : 10⁹ ohms
- Shock Resistance : 30G for 11mSec.
- Vibration Resistance : 20G (10 to 1000Hz)
- Magnets : ALINCO/ Rare Earth (Unless otherwise specified)
- Armour Jacket : Stainless Steel (Type 304)
- Plastic Material : ABS Plastic (Unless otherwise specified)

Surface Mount Magnetic Switch

1L-MSM-116



Key Features :-

- Mini Stick-on Surface Mount Contact with side leads
- 18" Long Side Wire Leads
- Adhesive & Screw Mounting
- Operate Gap $\frac{3}{4}$ " Min. (19.0mm)

Specifications

Electrical

Normally Open Contact Switch (N/O, 1 Form A) For Closed Loop System (N/C, 1 Form B or C/O, 1 Form C is also available on request

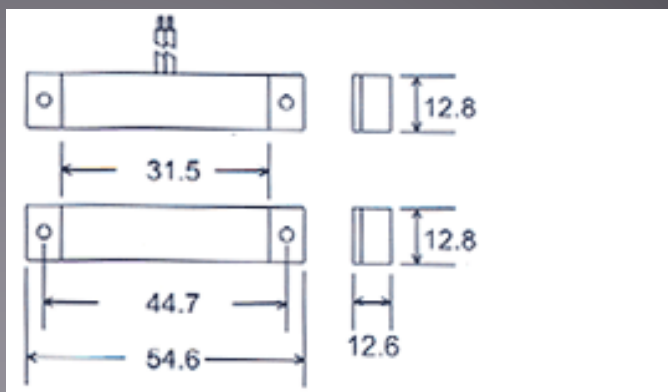
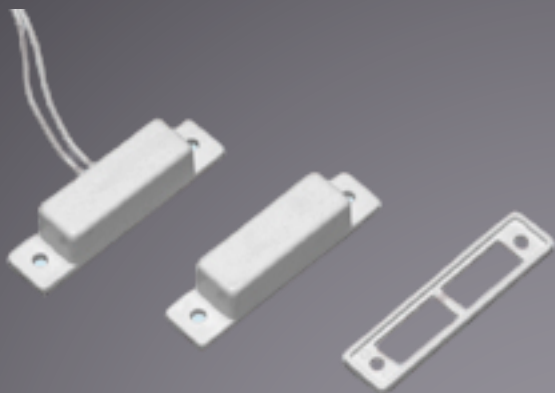
Reed Switch Specifications

- Contact Rating :** 10W/VA
- Switching Voltage (Max.) :** 200 VDC
- Switching Current (Max.) :** 0.5 Amp.
- Contact Resistance (Min.) :** 150 milli ohms
- Life Expectancy :** 10×10^6 Operations
- Insulation Resistance :** 10^9 ohms
- Shock Resistance :** 30G for 11mSec.
- Vibration Resistance :** 20G (10 to 1000Hz)
- Magnets :** ALINCO/ Rare Earth (Unless otherwise specified)
- Armour Jacket :** Stainless Steel (Type 304)
- Plastic Material :** ABS Plastic (Unless otherwise specified)

Magnetic Switches

Surface Mount Magnetic Switch

1L-MSM-112



Key Features :-

- Surface Mount with Screw and Adhesive tape (Optional) Mounting
- Side Flanges for Easy Mounting
- 18" Long Wire Leads
- Operate Gap $\frac{3}{4}$ " (19.0mm) min.
- Mounting Spacer also available on request.

Specifications

Electrical

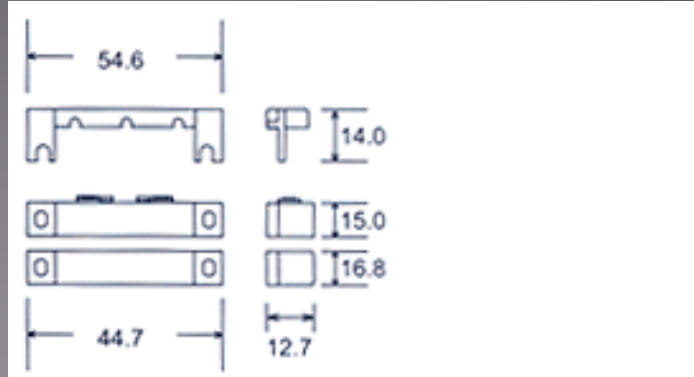
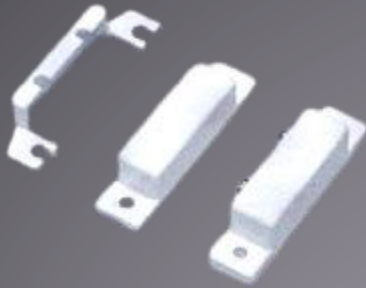
Normally Open Contact Switch (N/O, 1 Form A) For Closed Loop System (N/C, 1 Form B or C/O, 1 Form C is also available on request

Reed Switch Specifications

- Contact Rating : 10W/VA
- Switching Voltage (Max.) : 200 VDC
- Switching Current (Max.) : 0.5 Amp.
- Contact Resistance (Min.) : 150 milli ohms
- Life Expectancy : 10×10^6 Operations
- Insulation Resistance : 10^9 ohms
- Shock Resistance : 30G for 11mSec.
- Vibration Resistance : 20G (10 to 1000Hz)
- Magnets : ALINCO/ Rare Earth (Unless otherwise specified)
- Armour Jacket : Stainless Steel (Type 304)
- Plastic Material : ABS Plastic (Unless otherwise specified)

Surface Mount Magnetic Switch

1L-MSM-112T



Key Features :-

- Surface Mount with Screw and Adhesive tape (optional) Mounting
- Screw Connecting Terminals
- Side Cover, Spacer included
- Side Flange for Convenient Mounting
- Operate Gap $\frac{3}{4}$ " (19.0 mm) min.

Specifications

Electrical

Normally Open Contact Switch (N/O, 1 Form A) For Closed Loop System (N/C, 1 Form B or C/O, 1 Form C is also available on request

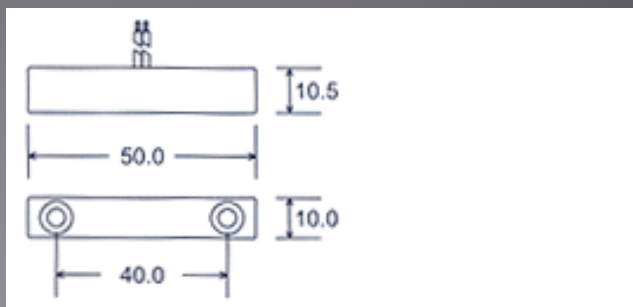
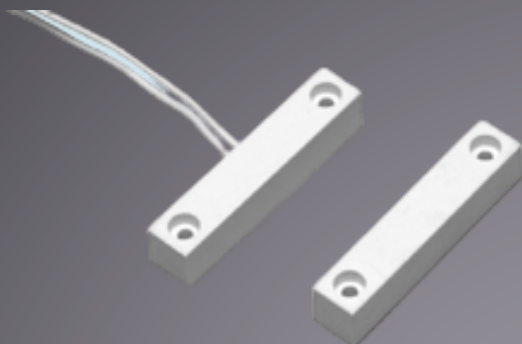
Reed Switch Specifications

- Contact Rating :** 10W/VA
- Switching Voltage (Max.) :** 200 VDC
- Switching Current (Max.) :** 0.5 Amp.
- Contact Resistance (Min.) :** 150 milli ohms
- Life Expectancy :** 10×10^6 Operations
- Insulation Resistance :** 10^9 ohms
- Shock Resistance :** 30G for 11mSec.
- Vibration Resistance :** 20G (10 to 1000Hz)
- Magnets :** ALINCO/ Rare Earth (Unless otherwise specified)
- Armour Jacket :** Stainless Steel (Type 304)
- Plastic Material :** ABS Plastic (Unless otherwise specified)

Magnetic Switches

Surface Mount Magnetic Switch

1L-MSM-111



Key Features :-

- Easy Screw & Adhesive tapes (optional) Mounting
- Wide Operating Gap: Min 5/8" (16mm) min.
- 18" Long Wire Leads

Specifications

Electrical

Normally Open Contact Switch (N/O, 1 Form A) For Closed Loop System (N/C, 1 Form B or C/O, 1 Form C is also available on request

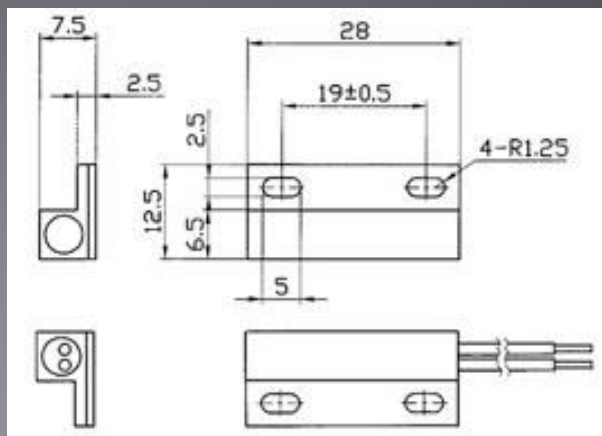
Reed Switch Specifications

- Contact Rating : 10W/VA
- Switching Voltage (Max.) : 200 VDC
- Switching Current (Max.) : 0.5 Amp.
- Contact Resistance (Min.) : 150 milli ohms
- Life Expectancy : 10x 10⁶ Operations
- Insulation Resistance : 10⁹ ohms
- Shock Resistance : 30G for 11mSec.
- Vibration Resistance : 20G (10 to 1000Hz)
- Magnets : ALINCO/ Rare Earth (Unless otherwise specified)
- Armour Jacket : Stainless Steel (Type 304)
- Plastic Material : ABS Plastic (Unless otherwise specified)

Magnetic Switches

Surface Mount Magnetic Switch

1L-MSM-113



Key Features :-

- Small size, Mini Stick-On contact with flange
- Center leads, 18" leads
- Adhesive and screw mount
- Standard gap: 1" (25mm)
- Switches or magnets are available separately
- Available in open loop, closed loop and SPDT

Specifications

Electrical

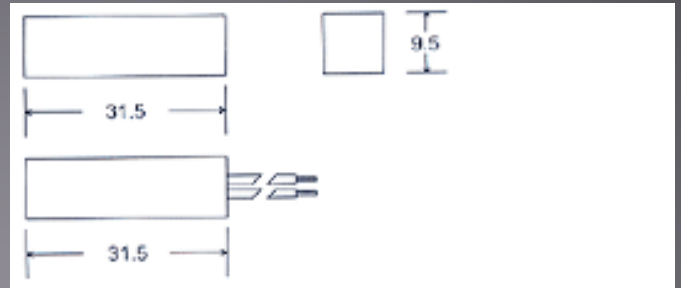
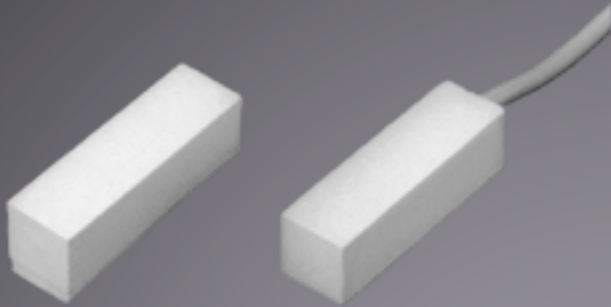
Normally Open Contact Switch (N/O, 1 Form A) For Closed Loop System (N/C, 1 Form B or C/O, 1 Form C is also available on request

Reed Switch Specifications

- Contact Rating : 10W/VA
- Switching Voltage (Max.) : 200 VDC
- Switching Current (Max.) : 0.5 Amp.
- Contact Resistance (Min.) : 150 milli ohms
- Life Expectancy : 10x 10⁶ Operations
- Insulation Resistance : 10⁹ ohms
- Shock Resistance : 30G for 11mSec.
- Vibration Resistance : 20G (10 to 1000Hz)
- Magnets : ALINCO/ Rare Earth (Unless otherwise specified)
- Armour Jacket : Stainless Steel (Type 304)
- Plastic Material : ABS Plastic (Unless otherwise specified)

Surface Mount Magnetic Switch

1L-MSM-117



Key Features :-

- 3/8" Surface Mount Contacts with Adhesive Tape
- 18" Long Wire Leads
- Operating Gap 5/8" (16mm) min.

Specifications

Electrical

Normally Open Contact Switch (N/O, 1 Form A) For Closed Loop System (N/C, 1 Form B or C/O, 1 Form C is also available on request

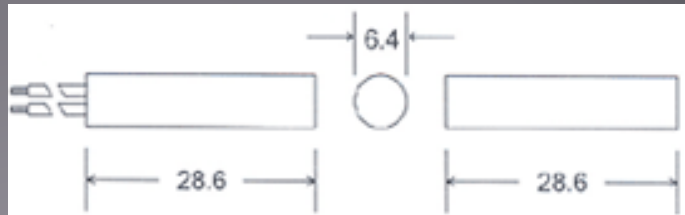
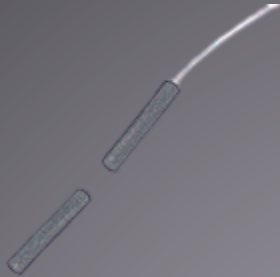
Reed Switch Specifications

- Contact Rating : 10W/VA
- Switching Voltage (Max.) : 200 VDC
- Switching Current (Max.) : 0.5 Amp.
- Contact Resistance (Min.) : 150 milli ohms
- Life Expectancy : 10x 10⁶ Operations
- Insulation Resistance : 10⁹ ohms
- Shock Resistance : 30G for 11mSec.
- Vibration Resistance : 20G (10 to 1000Hz)
- Magnets : ALINCO/ Rare Earth (Unless otherwise specified)
- Armour Jacket : Stainless Steel (Type 304)
- Plastic Material : ABS Plastic (Unless otherwise specified)



Recessed Mount Magnetic Switch

1L-MSR-101



Key Features :-

- 1/4" Press Fit Mini Switch
- Operating Gap 1/2" (12 mm) min
- 18" long wire Leads

Specifications

Electrical

Normally Open Contact Switch (N/O, 1 Form A) For Closed Loop System (N/C, 1 Form B or C/O, 1 Form C is also available on request

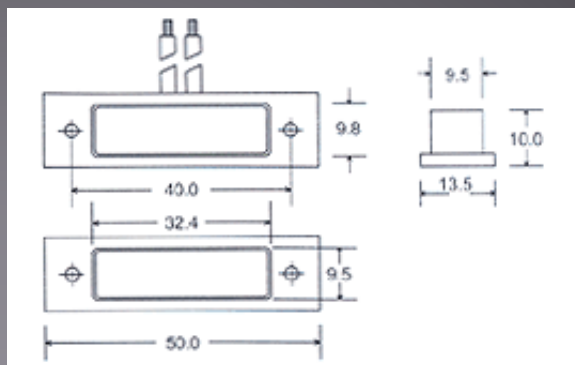
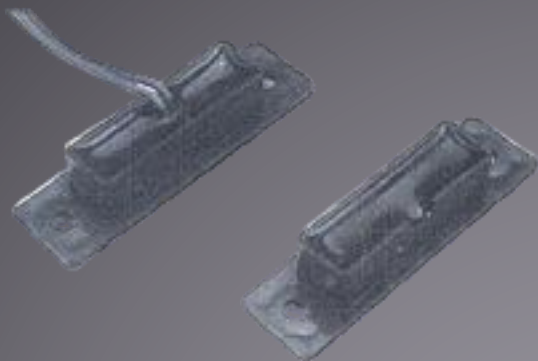
Reed Switch Specifications

- Contact Rating :** 10W/VA
- Switching Voltage (Max.) :** 200 VDC
- Switching Current (Max.) :** 0.5 Amp.
- Contact Resistance (Min.) :** 150 milli ohms
- Life Expectancy :** 10x 10⁶ Operations
- Insulation Resistance :** 10⁹ ohms
- Shock Resistance :** 30G for 11mSec.
- Vibration Resistance :** 20G (10 to 1000Hz)
- Magnets :** ALINCO/ Rare Earth (Unless otherwise specified)
- Armour Jacket :** Stainless Steel (Type 304)
- Plastic Material :** ABS Plastic (Unless otherwise specified)

Magnetic Switches

Recessed Mount Magnetic Switch

1L-MSR-102



Key Features :-

- Recessed Mount Type
- Flat Shaped with Collar Flange for better retention
- 18" Long Wire Leads
- Operate Gap 5/8" (16mm)

Specifications

Electrical

Normally Open Contact Switch (N/O, 1 Form A) For Closed Loop System (N/C, 1 Form B or C/O, 1 Form C is also available on request

Reed Switch Specifications

Contact Rating : 10W/VA

Switching Voltage (Max.) : 200 VDC

Switching Current (Max.) : 0.5 Amp.

Contact Resistance (Min.) : 150 milli ohms

Life Expectancy : 10x 10⁶ Operations

Insulation Resistance : 10⁹ ohms

Shock Resistance : 30G for 11mSec.

Vibration Resistance : 20G (10 to 1000Hz)

Magnets : ALINCO/ Rare Earth (Unless otherwise specified)

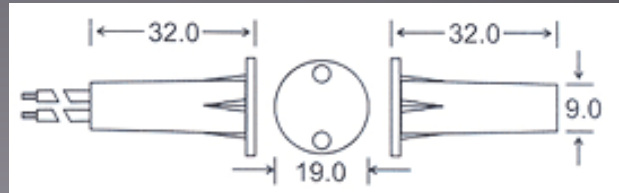
Armour Jacket : Stainless Steel (Type 304)

Plastic Material : ABS Plastic (Unless otherwise specified)

Magnetic Switches

Recessed Mount Magnetic Switch

1L-MSR-103



Key Features :-

- 3/8" (9mm) Dia Press Fit
- Operating Gap 5/8" (16mm) min.
- 18" Long Wire Leads
- 3/4" Collar Flange for Better Retention

Specifications

Electrical

Normally Open Contact Switch (N/O, 1 Form A) For Closed Loop System (N/C, 1 Form B or C/O, 1 Form C is also available on request

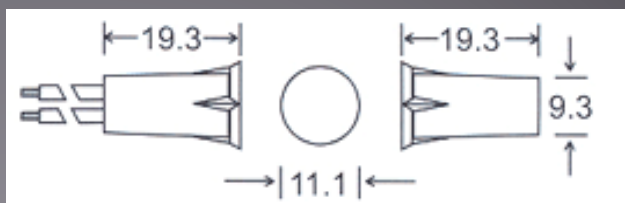
Reed Switch Specifications

- Contact Rating :** 10W/VA
- Switching Voltage (Max.) :** 200 VDC
- Switching Current (Max.) :** 0.5 Amp.
- Contact Resistance (Min.) :** 150 milli ohms
- Life Expectancy :** 10x 10⁶ Operations
- Insulation Resistance :** 10⁹ ohms
- Shock Resistance :** 30G for 11mSec.
- Vibration Resistance :** 20G (10 to 1000Hz)
- Magnets :** ALINCO/ Rare Earth (Unless otherwise specified)
- Armour Jacket :** Stainless Steel (Type 304)
- Plastic Material :** ABS Plastic (Unless otherwise specified)

Magnetic Switches

Recessed Mount Magnetic Switch

1L-MSR-104



Key Features :-

- 3/8" Dia with 18" Long Wire Leads
- Easy & Quick installation
- Longer Length
- Operate Gap 3/4" (19mm) min.

Specifications

Electrical

Normally Open Contact Switch (N/O, 1 Form A) For Closed Loop System (N/C, 1 Form B or C/O, 1 Form C is also available on request

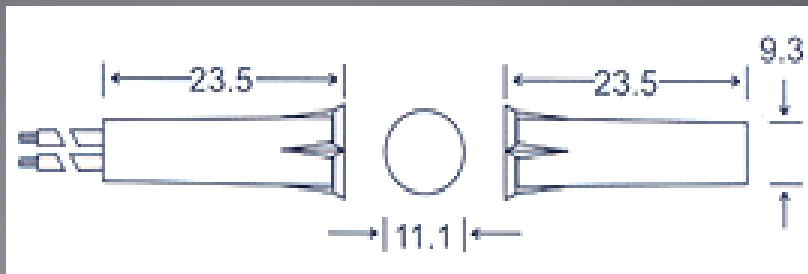
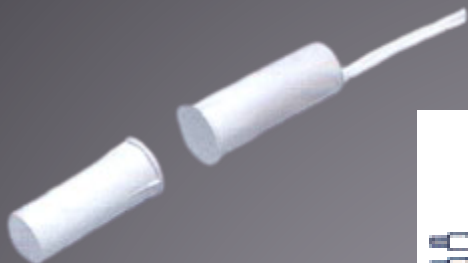
Reed Switch Specifications

- Contact Rating : 10W/VA
- Switching Voltage (Max.) : 200 VDC
- Switching Current (Max.) : 0.5 Amp.
- Contact Resistance (Min.) : 150 milli ohms
- Life Expectancy : 10x 10⁶ Operations
- Insulation Resistance : 10⁹ ohms
- Shock Resistance : 30G for 11mSec.
- Vibration Resistance : 20G (10 to 1000Hz)
- Magnets : ALINCO/ Rare Earth (Unless otherwise specified)
- Armour Jacket : Stainless Steel (Type 304)
- Plastic Material : ABS Plastic (Unless otherwise specified)

Magnetic Switches

Recessed Mount Magnetic Switch

1L-MSR-104B



Key Features :-

- 3/8" Dia with 18" Long Wire Leads
- Easy & Quick installation
- Longer Length
- Operate Gap 3/4" (19mm) min.

Specifications

Electrical

Normally Open Contact Switch (N/O, 1 Form A) For Closed Loop System (N/C, 1 Form B or C/O, 1 Form C is also available on request

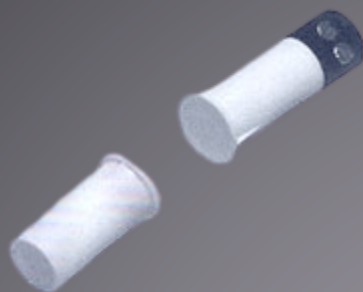
Reed Switch Specifications

- Contact Rating : 10W/VA
- Switching Voltage (Max.) : 200 VDC
- Switching Current (Max.) : 0.5 Amp.
- Contact Resistance (Min.) : 150 milli ohms
- Life Expectancy : 10x 10⁶ Operations
- Insulation Resistance : 10⁹ ohms
- Shock Resistance : 30G for 11mSec.
- Vibration Resistance : 20G (10 to 1000Hz)
- Magnets : ALINCO/ Rare Earth (Unless otherwise specified)
- Armour Jacket : Stainless Steel (Type 304)
- Plastic Material : ABS Plastic (Unless otherwise specified)

Magnetic Switches

Recessed Mount Magnetic Switch

1L-MSR-105T



Key Features :-

- 3/8" Dia with terminal connector
- Easy & Quick installation
- No Cable Joints, Better Reliability
- Can use solid or stranded 22 AWG Wire
- Short Length
- Operate Gap 5/8" (16mm) min.

Specifications

Electrical

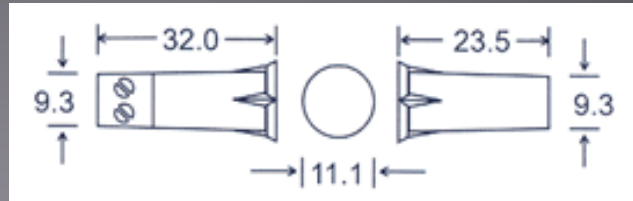
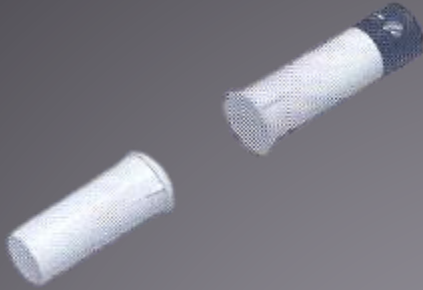
Normally Open Contact Switch (N/O, 1 Form A) For Closed Loop System (N/C, 1 Form B or C/O, 1 Form C is also available on request

Reed Switch Specifications

- Contact Rating : 10W/VA
- Switching Voltage (Max.) : 200 VDC
- Switching Current (Max.) : 0.5 Amp.
- Contact Resistance (Min.) : 150 milli ohms
- Life Expectancy : 10x 10⁶ Operations
- Insulation Resistance : 10⁹ ohms
- Shock Resistance : 30G for 11mSec.
- Vibration Resistance : 20G (10 to 1000Hz)
- Magnets : ALINCO/ Rare Earth (Unless otherwise specified)
- Armour Jacket : Stainless Steel (Type 304)
- Plastic Material : ABS Plastic (Unless otherwise specified)

Recessed Mount Magnetic Switch

1L-MSR-105TB



Key Features :-

- 3/8" Dia with terminal connector
- Easy & Quick installation
- No Cable Joints, Better Reliability
- Can use solid or stranded 22 AWG Wire
- Longer Length
- Wide Operate Gap 3/4" (19mm) min.

Specifications

Electrical

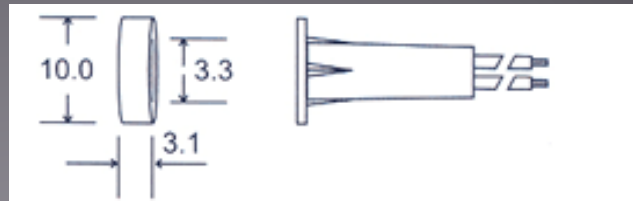
Normally Open Contact Switch (N/O, 1 Form A) For Closed Loop System (N/C, 1 Form B or C/O, 1 Form C is also available on request

Reed Switch Specifications

- Contact Rating : 10W/VA
- Switching Voltage (Max.) : 200 VDC
- Switching Current (Max.) : 0.5 Amp.
- Contact Resistance (Min.) : 150 milli ohms
- Life Expectancy : 10x 10⁶ Operations
- Insulation Resistance : 10⁹ ohms
- Shock Resistance : 30G for 11mSec.
- Vibration Resistance : 20G (10 to 1000Hz)
- Magnets : ALINCO/ Rare Earth (Unless otherwise specified)
- Armour Jacket : Stainless Steel (Type 304)
- Plastic Material : ABS Plastic (Unless otherwise specified)

Recessed Mount Magnetic Switch

1L-MSR-104-PF



Key Features :-

- 3/8" Dia Pressfit Switch with 18" Long Wire Leads
- Easy & Time Saving Installation
- Epoxy Coated Magnet to protect from corrosion & Chipping
- Operating Gap 5/8" (16mm) min.

Specifications

Electrical

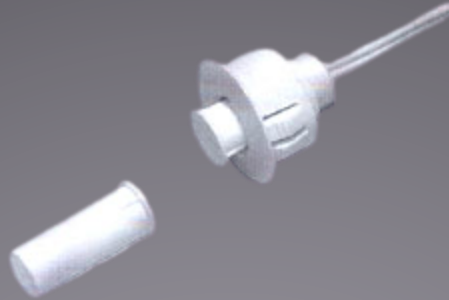
Normally Open Contact Switch (N/O, 1 Form A) For Closed Loop System (N/C, 1 Form B or C/O, 1 Form C is also available on request

Reed Switch Specifications

- Contact Rating :** 10W/VA
- Switching Voltage (Max.) :** 200 VDC
- Switching Current (Max.) :** 0.5 Amp.
- Contact Resistance (Min.) :** 150 milli ohms
- Life Expectancy :** 10x 10⁶ Operations
- Insulation Resistance :** 10⁹ ohms
- Shock Resistance :** 30G for 11mSec.
- Vibration Resistance :** 20G (10 to 1000Hz)
- Magnets :** ALINCO/ Rare Earth (Unless otherwise specified)
- Armour Jacket :** Stainless Steel (Type 304)
- Plastic Material :** ABS Plastic (Unless otherwise specified)

Recessed Mount Magnetic Switch

1L-MSR-104-H



Key Features :-

- 3/8" Dia with Adaptor Holder
- Easy & Quick Installation
- 3/4" Adaptor / Holder
- Wide Operating Gap 3/4" (19mm) min.

Specifications

Electrical

Normally Open Contact Switch (N/O, 1 Form A) For Closed Loop System (N/C, 1 Form B or C/O, 1 Form C is also available on request

Reed Switch Specifications

Contact Rating : 10W/VA
Switching Voltage (Max.) : 200 VDC
Switching Current (Max.) : 0.5 Amp.
Contact Resistance (Min.) : 150 milli ohms
Life Expectancy : 10x 10⁶ Operations
Insulation Resistance : 10⁹ ohms
Shock Resistance : 30G for 11mSec.
Vibration Resistance : 20G (10 to 1000Hz)
Magnets : ALINCO/ Rare Earth (Unless otherwise specified)
Armour Jacket : Stainless Steel (Type 304)
Plastic Material : ABS Plastic (Unless otherwise specified)

Magnetic Switches

Recessed Mount Magnetic Switch

1L-MSR-106



Key Features :-

- 3/4" Dia Press Fit Steel door contact
- Wide Operating Gap 1 3/8" (35mm) min.
- 18" long wire Leads
- Easy & Quick Installation.

Specifications

Electrical

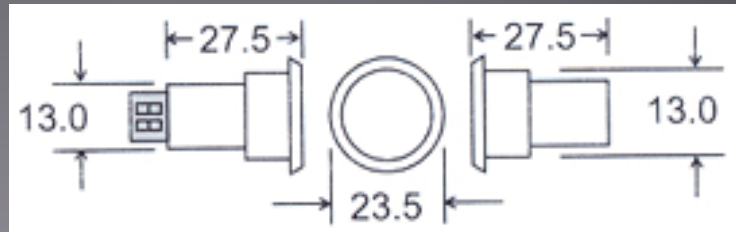
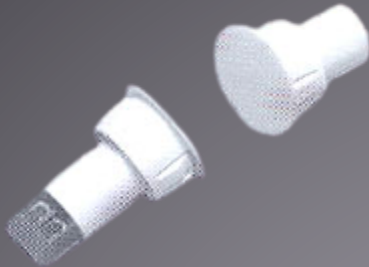
Normally Open Contact Switch (N/O, 1 Form A) For Closed Loop System (N/C, 1 Form B or C/O, 1 Form C is also available on request

Reed Switch Specifications

- Contact Rating : 10W/VA
- Switching Voltage (Max.) : 200 VDC
- Switching Current (Max.) : 0.5 Amp.
- Contact Resistance (Min.) : 150 milli ohms
- Life Expectancy : 10x 10⁶ Operations
- Insulation Resistance : 10⁹ ohms
- Shock Resistance : 30G for 11mSec.
- Vibration Resistance : 20G (10 to 1000Hz)
- Magnets : ALINCO/ Rare Earth (Unless otherwise specified)
- Armour Jacket : Stainless Steel (Type 304)
- Plastic Material : ABS Plastic (Unless otherwise specified)

Recessed Mount Magnetic Switch

1L-MSR-106T



Key Features :-

- 3/4" Pressfit Steel door contact
- Wide Operating Gap 1 3/8" (35mm) min.
- Terminal Connector Type
- Easy & Quick Installation

Specifications

Electrical

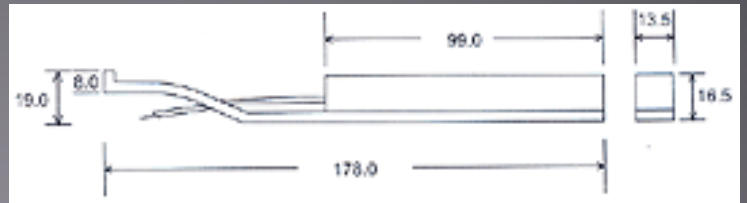
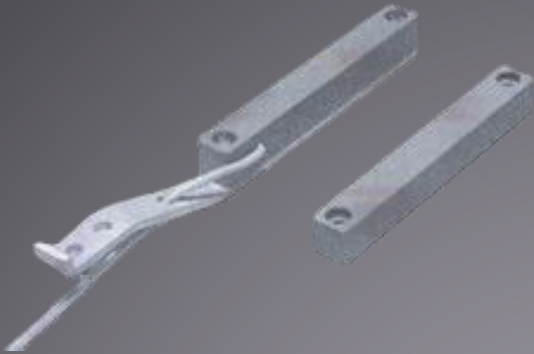
Normally Open Contact Switch (N/O, 1 Form A) For Closed Loop System (N/C, 1 Form B or C/O, 1 Form C is also available on request

Reed Switch Specifications

- Contact Rating :** 10W/VA
- Switching Voltage (Max.) :** 200 VDC
- Switching Current (Max.) :** 0.5 Amp.
- Contact Resistance (Min.) :** 150 milli ohms
- Life Expectancy :** 10x 10⁶ Operations
- Insulation Resistance :** 10⁹ ohms
- Shock Resistance :** 30G for 11mSec.
- Vibration Resistance :** 20G (10 to 1000Hz)
- Magnets :** ALINCO/ Rare Earth (Unless otherwise specified)
- Armour Jacket :** Stainless Steel (Type 304)
- Plastic Material :** ABS Plastic (Unless otherwise specified)

Overhead Mounted Magnetic Switch

1L-MSM-114-OH



Key Features :-

- Wide Contact Switch for Overhead Shutters
- 3" Long 2 Core 22 AWG PVC Cable
- Screw Mounting
- Operate Gap 2" (50mm) min.
- Switch Mounted on Z Bracket For Convenient Mounting

Specifications

Electrical

Normally Open Contact Switch (N/O, 1 Form A) For Closed Loop System (N/C, 1 Form B or C/O, 1 Form C is also available on request

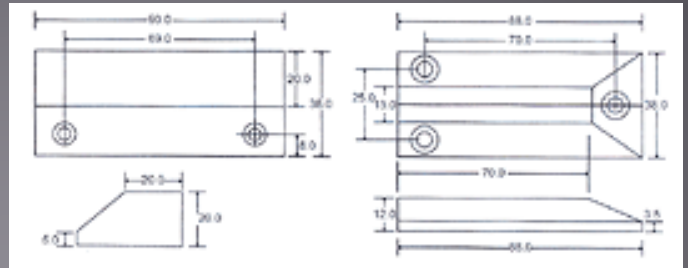
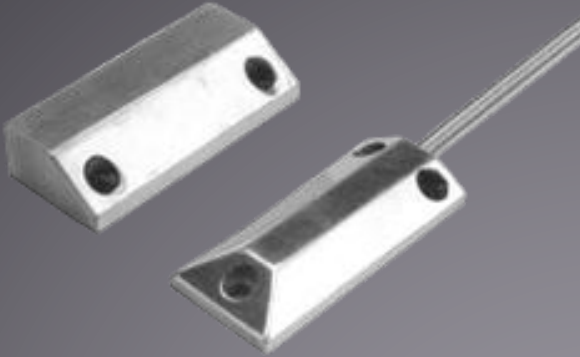
Reed Switch Specifications

Contact Rating : 10W/VA
Switching Voltage (Max.) : 200 VDC
Switching Current (Max.) : 0.5 Amp.
Contact Resistance (Min.) : 150 milli ohms
Life Expectancy : 10x 10⁶ Operations
Insulation Resistance : 10⁹ ohms
Shock Resistance : 30G for 11mSec.
Vibration Resistance : 20G (10 to 1000Hz)
Magnets : ALINCO/ Rare Earth (Unless otherwise specified)
Armour Jacket : Stainless Steel (Type 304)
Plastic Material : ABS Plastic (Unless otherwise specified)

Magnetic Switches

Overhead Mounted Magnetic Switch

1L-MSO-101



Key Features :-

- Heavy Duty Roller Shutter Contact
- Sturdy Polished Aluminium Die-cast Housing
- Wide Operating Gap 2" min. (50mm)
- 3' Long Stainless Steel Armoured Cable

Specifications

Electrical

Normally Open Contact Switch (N/O, 1 Form A) For Closed Loop System (N/C, 1 Form B or C/O, 1 Form C is also available on request

Reed Switch Specifications

Contact Rating : 10W/VA

Switching Voltage (Max.) : 200 VDC

Switching Current (Max.) : 0.5 Amp.

Contact Resistance (Min.) : 150 milli ohms

Life Expectancy : 10x 10⁶ Operations

Insulation Resistance : 10⁹ ohms

Shock Resistance : 30G for 11mSec.

Vibration Resistance : 20G (10 to 1000Hz)

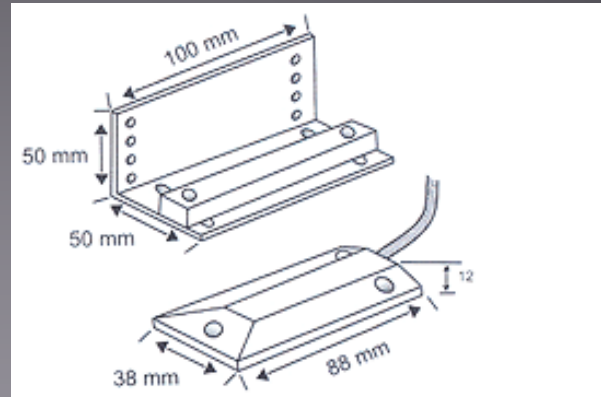
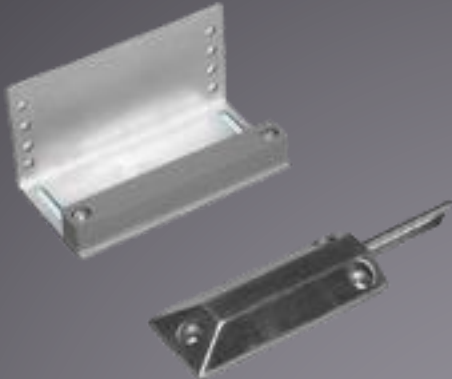
Magnets : ALINCO/ Rare Earth (Unless otherwise specified)

Armour Jacket : Stainless Steel (Type 304)

Plastic Material : ABS Plastic (Unless otherwise specified)

Overhead Mounted Magnetic Switch

1L-MSO-101L



Key Features :-

- Heavy Duty Roller Shutter Contact
- Sturdy Polished Aluminium Die-cast Housing
- Magnet Mounted on adjustable L-Bracket
- Wide Operating Gap 2" min. (50mm) min.
- Magnet Mounted on adjustable L-Bracket
- 3' Long PVC Cable

Specifications

Electrical

Normally Open Contact Switch (N/O, 1 Form A) For Closed Loop System (N/C, 1 Form B or C/O, 1 Form C is also available on request

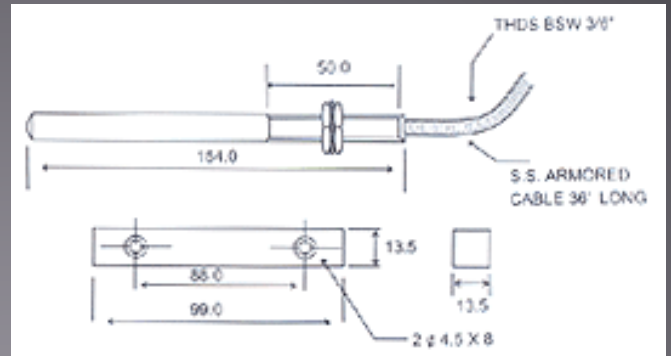
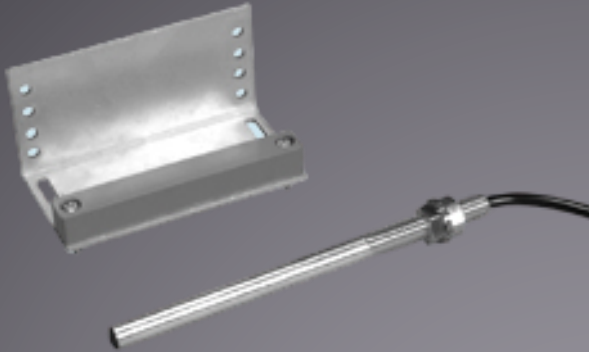
Reed Switch Specifications

Contact Rating : 10W/VA
Switching Voltage (Max.) : 200 VDC
Switching Current (Max.) : 0.5 Amp.
Contact Resistance (Min.) : 150 milli ohms
Life Expectancy : 10x 10⁶ Operations
Insulation Resistance : 10⁹ ohms
Shock Resistance : 30G for 11mSec.
Vibration Resistance : 20G (10 to 1000Hz)
Magnets : ALINCO/ Rare Earth (Unless otherwise specified)
Armour Jacket : Stainless Steel (Type 304)
Plastic Material : ABS Plastic (Unless otherwise specified)

Magnetic Switches

Overhead Mounted Magnetic Switch

1L-MSO-102L



Key Features :-

- 1/4" Press Fit Mini Switch
- Operating Gap 1/2" (12 mm) min
- 18" long wire Leads

Specifications

Electrical

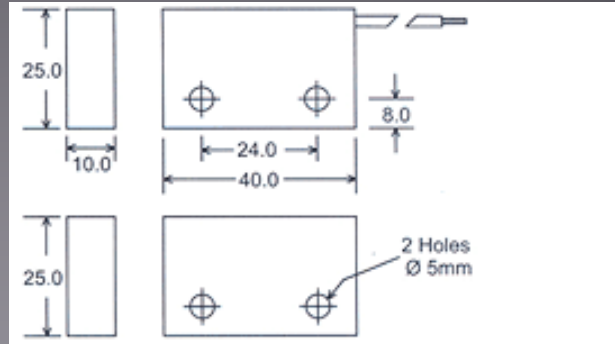
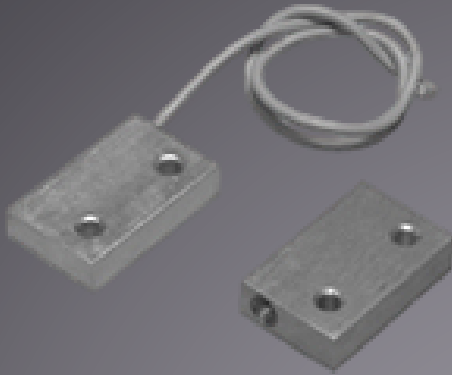
Normally Open Contact Switch (N/O, 1 Form A) For Closed Loop System (N/C, 1 Form B or C/O, 1 Form C is also available on request

Reed Switch Specifications

- Contact Rating : 10W/VA
- Switching Voltage (Max.) : 200 VDC
- Switching Current (Max.) : 0.5 Amp.
- Contact Resistance (Min.) : 150 milli ohms
- Life Expectancy : 10x 10⁶ Operations
- Insulation Resistance : 10⁹ ohms
- Shock Resistance : 30G for 11mSec.
- Vibration Resistance : 20G (10 to 1000Hz)
- Magnets : ALINCO/ Rare Earth (Unless otherwise specified)
- Armour Jacket : Stainless Steel (Type 304)
- Plastic Material : ABS Plastic (Unless otherwise specified)

Special type Magnetic Switch

1L-MSS-101



Key Features :-

- Rugged Aluminium Housing
- Suitable For Steel Doors or any other Hazardous Application
- 18" Long 2 Core Cable
- Stainless Steel Armoured Cable available on request

Specifications

Electrical

Normally Open Contact Switch (N/O, 1 Form A) For Closed Loop System (N/C, 1 Form B or C/O, 1 Form C is also available on request

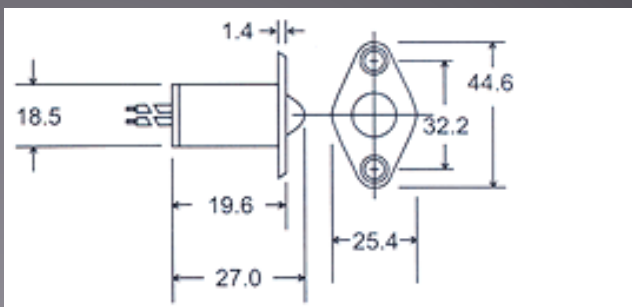
Reed Switch Specifications

- Contact Rating : 10W/VA
- Switching Voltage (Max.) : 200 VDC
- Switching Current (Max.) : 0.5 Amp.
- Contact Resistance (Min.) : 150 milli ohms
- Life Expectancy : 10x 10⁶ Operations
- Insulation Resistance : 10⁹ ohms
- Shock Resistance : 30G for 11mSec.
- Vibration Resistance : 20G (10 to 1000Hz)
- Magnets : ALINCO/ Rare Earth (Unless otherwise specified)
- Armour Jacket : Stainless Steel (Type 304)
- Plastic Material : ABS Plastic (Unless otherwise specified)

Magnetic Switches

Special type Magnetic Switch

1L-MSS-102



Key Features :-

- Available with wire Leads 18" Long as well as with terminal Connector
- 3/4" Dia Mounting Hole
- Flange for Reliable Retention
- Spacer Included
- Suitable For Sliding as well as Swing Doors

Specifications

Electrical

Normally Open Contact Switch (N/O, 1 Form A) For Closed Loop System (N/C, 1 Form B or C/O, 1 Form C is also available on request

Reed Switch Specifications

Contact Rating : 10W/VA

Switching Voltage (Max.) : 200 VDC

Switching Current (Max.) : 0.5 Amp.

Contact Resistance (Min.) : 150 milli ohms

Life Expectancy : 10x 10⁶ Operations

Insulation Resistance : 10⁹ ohms

Shock Resistance : 30G for 11mSec.

Vibration Resistance : 20G (10 to 1000Hz)

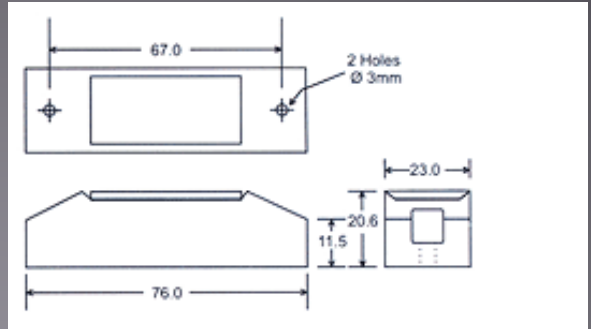
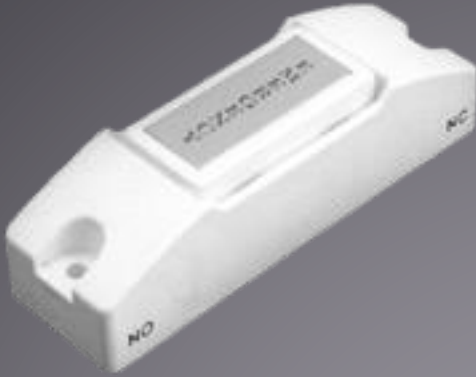
Magnets : ALINCO/ Rare Earth (Unless otherwise specified)

Armour Jacket : Stainless Steel (Type 304)

Plastic Material : ABS Plastic (Unless otherwise specified)

Special type Magnetic Switch

1L-MSS-103

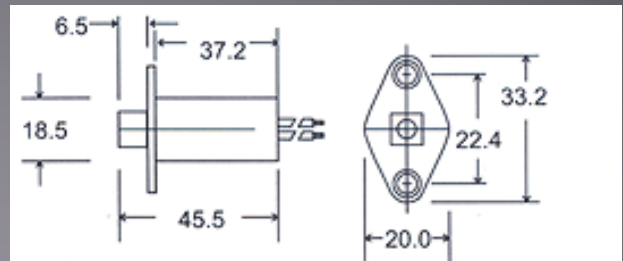


Key Features :-

- Panic Switch Surface Mount Type
- Push Button Function
- Electrical Rating 230 V AC/DC, 4 Amp.
- Option for Emergency/Exit Marking on the Button
- NO/NC both contact option available.

Special type Magnetic Switch

1L-MSS-104



Key Features :-

- 3/8" Dia Mounting Hole
- Flange for Reliable Retention
- 3 mm pre-travel stroke and 7mm overall operating stroke
- Screw Provided
- 18" Long Wire Leads.