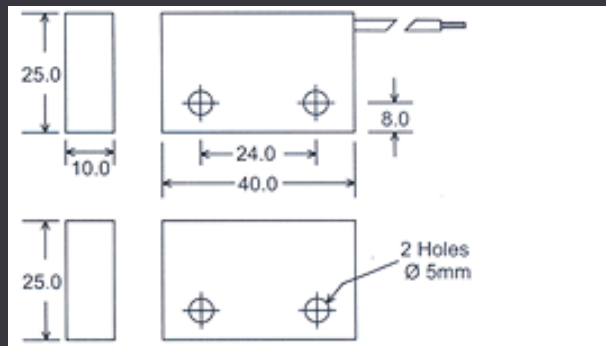


Magnetic Switches

Special type Magnetic Switch

1L-MSS-101



Key Features :-

- Rugged Aluminium Housing
- Suitable For Steel Doors or any other Hazardous Application
- 18" Long 2 Core Cable
- Stainless Steel Armoured Cable available on request

Specifications

Electrical

Normally Open Contact Switch (N/O, 1 Form A) For Closed Loop System (N/C, 1 Form B or C/O, 1 Form C is also available on request

Reed Switch Specifications

Contact Rating : 10W/VA

Switching Voltage (Max.) : 200 VDC

Switching Current (Max.) : 0.5 Amp.

Contact Resistance (Min.) : 150 milli ohms

Life Expectancy : 10x 10⁶ Operations

Insulation Resistance : 10⁹ ohms

Shock Resistance : 30G for 11mSec.

Vibration Resistance : 20G (10 to 1000Hz)

Magnets : ALINCO/ Rare Earth (Unless otherwise specified)

Armour Jacket : Stainless Steel (Type 304)

Plastic Material : ABS Plastic (Unless otherwise specified)